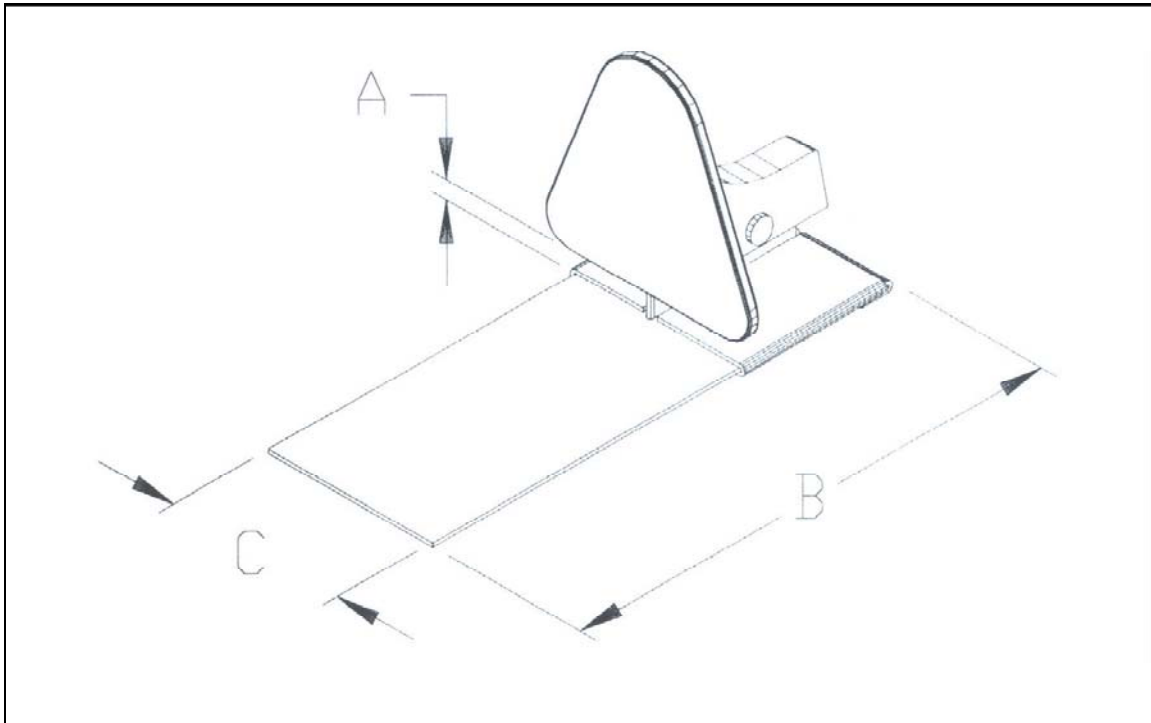




Snow Guard Model: 200CPSM



TYPICAL SIZES INDICATED ARE (+/-) 0.0625" (1.59MM)
A = 0.125" (3.175MM) B = 4.75" (120.65MM) C = 1.75" (44.45MM)

CASTING IS TIN BRONZE ALLOY (C90500/ASTM B05)

Copper roof application. Installation flange and vertical support are fabricated from 24 oz. cold rolled copper (7.3 kg/m²), fastened with solid copper rivet to the bronze casting. Dimensions shown above are inventory items. Special sizes can be easily fabricated to any specification. Also available in lead coated copper and TCS.

BERGER BUILDING PRODUCTS, INC.
805 Pennsylvania Boulevard ● Feasterville, PA 19053
215-355-1200 or 1-800-523-8852 ● Fax: (215) 355-7738
www.bergerbros.com ● E-mail: info@bergerbros.com