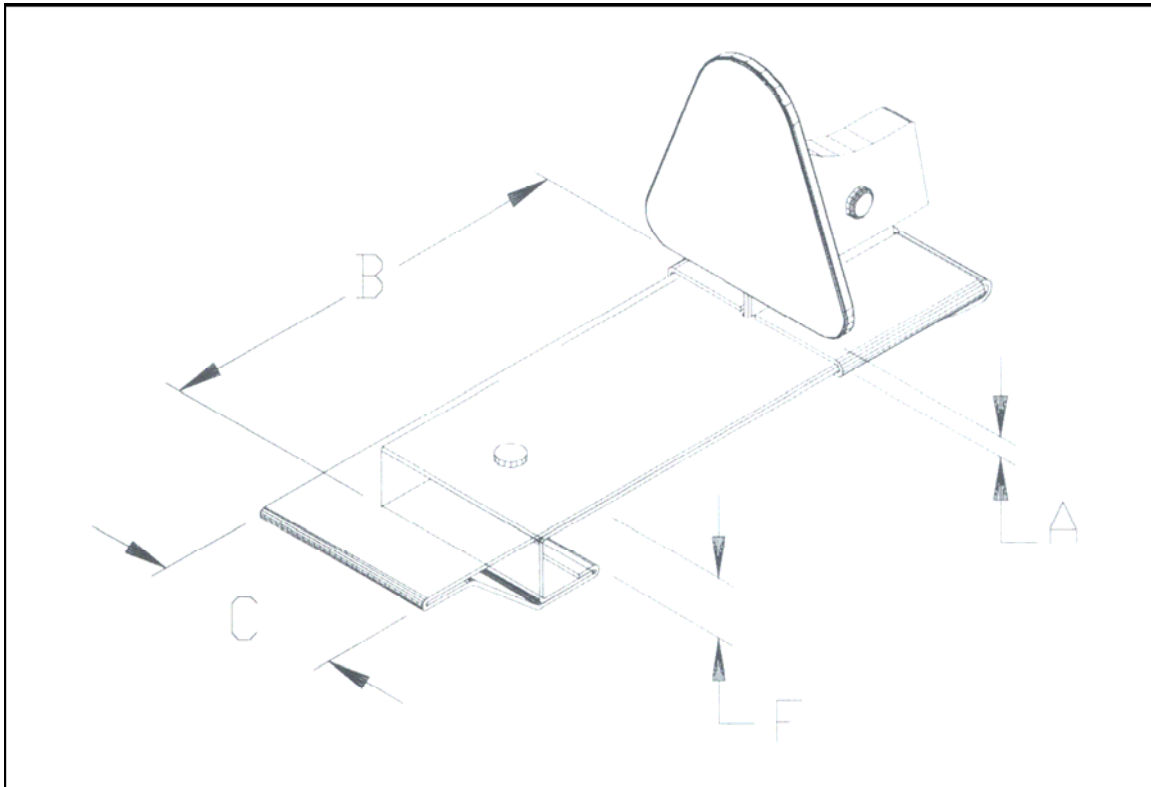




Snow Guard Model: 200CPT



TYPICAL SIZES INDICATED ARE (+/-) 0.0625" (1.59MM)

A = 0.125" (3.175MM)

B = 4.75" (120.65MM)

C = 1.50" (38.10 MM)

F = 0.05625" (14.36MM)

CASTING IS TIN BRONZE ALLOY (C90500/ASTM B05)

Tile roof application. Installation flange is fabricated from 2 layers of 20 oz. cold rolled copper (6.1 kg/m²), and vertical support is fabricated from 24 oz. cold rolled copper (7.3 kg/m²) fastened with solid copper rivet. Dimension "F" is sized according to the thickness of the tile roofing material for clip on application. Custom sizes and configuration are easily fabricated to individual specifications. . 200CPT can be manufactured with a straight flange for nail application on tile roofs. Available in lead coated copper.

BERGER BUILDING PRODUCTS, INC.
805 Pennsylvania Boulevard ● Feasterville, PA 19053
215-355-1200 or 1-800-523-8852 ● Fax: (215) 355-7738
www.bergerbros.com ● E-mail: info@bergerbros.com