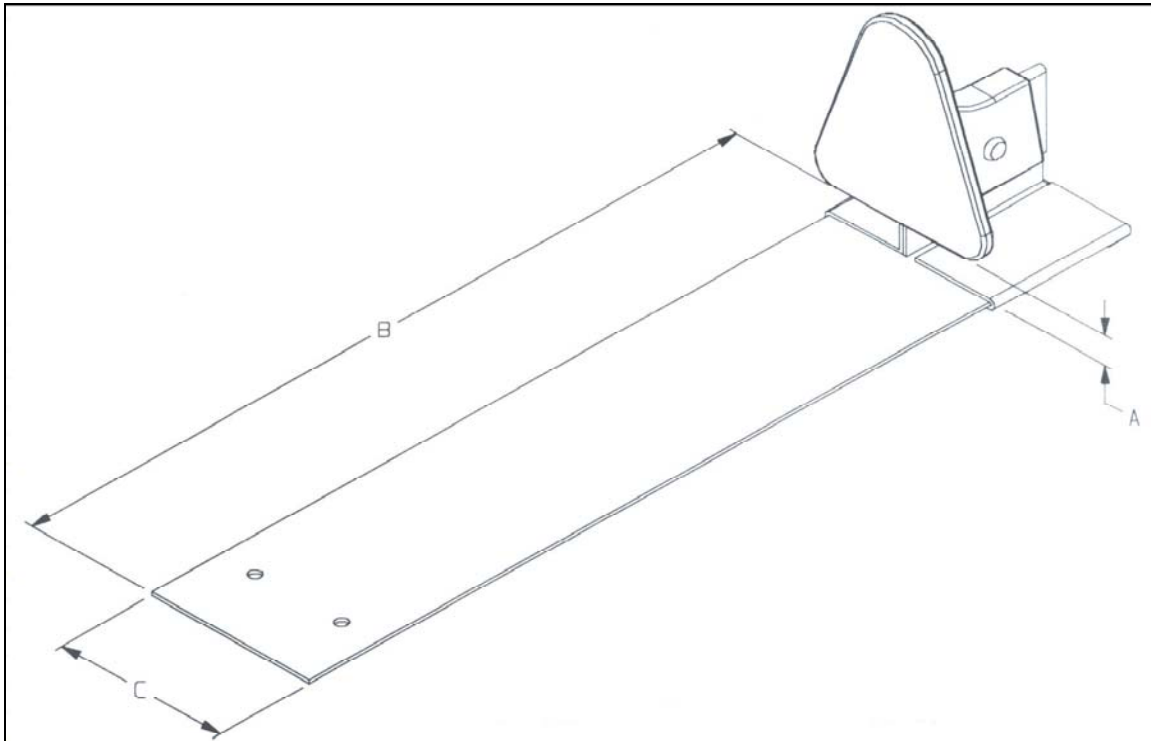




Snow Guard Model: 200S-AS



TYPICAL SIZES INDICATED ARE (+/-) 0.0625" (1.59M)
A = 0.25" (6.35MM) B = 5.25" (133.35MM) C = 1.75" (45.44MM)

CASTING IS TIN BRONZE ALLOY (C90500/ASTM B05)

Asphalt shingle roof applications. Installation flange and vertical support are fabricated from 24 oz. cold rolled copper (7.3 kg/m²), fastened with solid copper rivet (second rivet is optional.) Available with retro hook, for easy installation on existing slate roofs, or with a straight flange for nail application on new slate, shingle and shake roofs. Dimension "a" is sized according to the thickness of the roofing material. Custom sizes and configuration are easily fabricated to individual specifications. Available in lead coated copper.

BERGER BUILDING PRODUCTS, INC.
805 Pennsylvania Boulevard ● Feasterville, PA 19053
215-355-1200 or 1-800-523-8852 ● Fax: (215) 355-7738
www.bergerbros.com ● E-mail: info@bergerbros.com