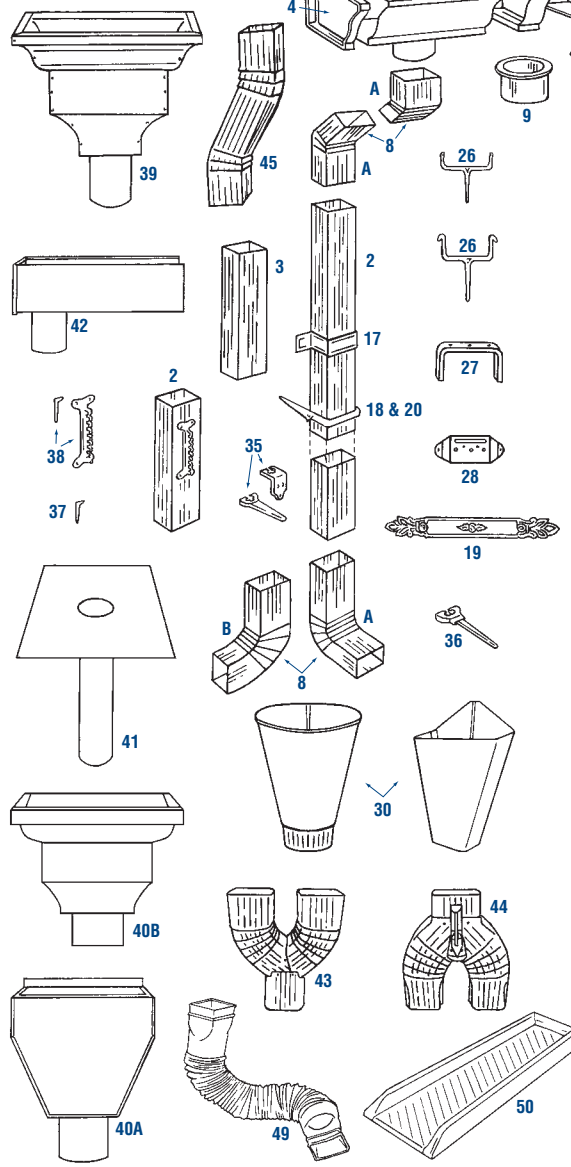
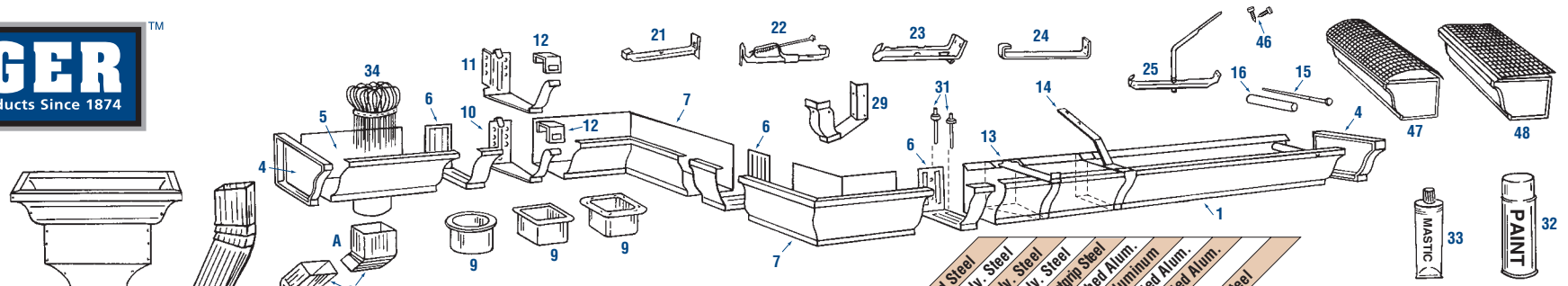


# K S T Y L E

## GUTTER SYSTEMS AND ACCESSORIES



DESCRIPTION	Material Options								SIZES / NOTES
	Galvanized Steel	26 Ga. Galv. Steel	24 Ga. Galv. Steel	26 Ga. Galv. Steel	Mill Finished Steel	Painted Aluminum	.027 Painted Alum.	.032 Painted Alum.	
1 K-Style Gutter	●	●	●	●	●	●	●	●	5", 6", 7", 8" - *
2 Square Corrugated Downspout	●	●	●	●	●	●	●	●	2"x2", 2"x3", 3"x4", 4"x5" - *
3 Plain Square Downspout	●	●	●	●	●	●	●	●	2"x3", 3"x4", 4"x5", 5"x6"
4 End Caps - Left or Right	●	●	●	●	●	●	●	●	5", 6", 7", 8" - *
5 End Section w/ Outlet	●	●	●	●	●	●	●	●	5"x3"
6 Slip Joint Connector	●	●	●	●	●	●	●	●	5" - *
7 90 Degree Box Miter - Outside or Inside	●	●	●	●	●	●	●	●	5", 6", 7", 8" - *
8 Elbows - A & B Style - Sq. Corr. & Plain Sq.	●	●	●	●	●	●	●	●	2"x2", 2"x3", 3"x4", 4"x5", Custom for Pl. Sq. - *
9 Outlet Tube - Oval, Square	●	●	●	●	●	●	●	●	2"x3", 3"x4", 4"x5", 3" Oval, 4" Oval - *
10 #40 Fascia Hanger w/ Snap Strap	●	●	●	●	●	●	●	●	5", 6" - *
11 #41 Rafter Hanger w/ Snap Strap	●	●	●	●	●	●	●	●	5", 6" - *
12 Snap Strap	●	●	●	●	●	●	●	●	
13 Premium Fascia Hanger w/ Crossbar	●	●	●	●	●	●	●	●	5", 6"
14 Wrap around Hanger	●	●	●	●	●	●	●	●	5", 6" - *
15 Gutter Spike / Gutter Screw	●	●	●	●	●	●	●	●	7", 8"
16 Ferrule	●	●	●	●	●	●	●	●	4", 5", 6" - *
17 Universal Band	●	●	●	●	●	●	●	●	
18 Square Stamped Sickle Hook	●	●	●	●	●	●	●	●	2"x3", 3"x4"
19 Metco Ornamental Conductor Band	●	●	●	●	●	●	●	●	3", 4"
20 Heavy Duty Channel Brick Hook	●	●	●	●	●	●	●	●	2"x3", 3"x4"
21 Hidden Hanger	●	●	●	●	●	●	●	●	5", 6", 7", 8"
22 Hidden Hanger w/ Screw	●	●	●	●	●	●	●	●	5", 6"
23 Heavy Duty Hidden Hanger	●	●	●	●	●	●	●	●	5", 6"
24 Custom Crossbar Hanger	●	●	●	●	●	●	●	●	5", 6", 7", 8"
25 Roof Bar Hanger w/ Rod & Nut	●	●	●	●	●	●	●	●	5"
26 Sq. Side Fasten / Wire Downspout Hooks	●	●	●	●	●	●	●	●	3"x4", 4"x5" - *
27 U-Bracket Downspout Hanger	●	●	●	●	●	●	●	●	2"x3" - Aluminum White Only
28 Conductor Bracket Downspout Hanger	●	●	●	●	●	●	●	●	2"x3"
29 90 Degree Strip Miter - Outside or Inside	●	●	●	●	●	●	●	●	5", 6"
30 Funnel	●	●	●	●	●	●	●	●	3", 4" Round Outlets
31 Pop Rivets	●	●	●	●	●	●	●	●	A-42, A-44
32 Touch Up Paint - 12 oz. Can	●	●	●	●	●	●	●	●	Call for Available Colors
33 Gutter Mastic - 5 oz. Tube	●	●	●	●	●	●	●	●	Call for Available Colors
34 Round Wire Strainer	●	●	●	●	●	●	●	●	2", 3", 4", 5", 6"
35 Stamped Drives #0, #4, #6	●	●	●	●	●	●	●	●	#0 Masonry / #4, #6 Wood
36 Malleable Drive #5	●	●	●	●	●	●	●	●	Wood Drive
37 Key Only	●	●	●	●	●	●	●	●	
38 Rack & Key Set	●	●	●	●	●	●	●	●	
39 #14 Ornate Conductor Head, Soldered	●	●	●	●	●	●	●	●	3", 4", 5", 6" Oval Outlet - *
40A Plain Tapered Conductor Head, Riveted	●	●	●	●	●	●	●	●	3", 4" Oval Outlets, 4"x5" Square Outlet
40B Molded Universal Conductor Head	●	●	●	●	●	●	●	●	White Polypropylene - Any Outlet Size or Shape
41 Downspout Tube	●	●	●	●	●	●	●	●	2", 3", 4" - Aluminum High Gloss White Only
42 Eave Box - Open, Closed, Sloped	●	●	●	●	●	●	●	●	3", 4" Round Outlets - Call for Available Sizes
43 Square Corrugated "Y" Funnel	●	●	●	●	●	●	●	●	2"x3", 3"x4"
44 Square Corrugated Cutoff w/ Diverter	●	●	●	●	●	●	●	●	2"x3", 3"x4"
45 Square Corrugated Offset	●	●	●	●	●	●	●	●	2"x3", 3"x4"
46 Stainless Steel Self Tapping Hex Screws #8 x 1/2	●	●	●	●	●	●	●	●	Stainless Steel Compatible w/ all Metals
47 Hinged Gutter Guard	●	●	●	●	●	●	●	●	5", 6"
48 Drop-In Gutter Guard	●	●	●	●	●	●	●	●	5"
49 Flex-A-Spout	●	●	●	●	●	●	●	●	Brown, Gray, White
50 Splash Blocks	●	●	●	●	●	●	●	●	Green, Brown, Gray

\* Note: Not all sizes are available in the materials shown in this chart. Please contact Berger for availability.