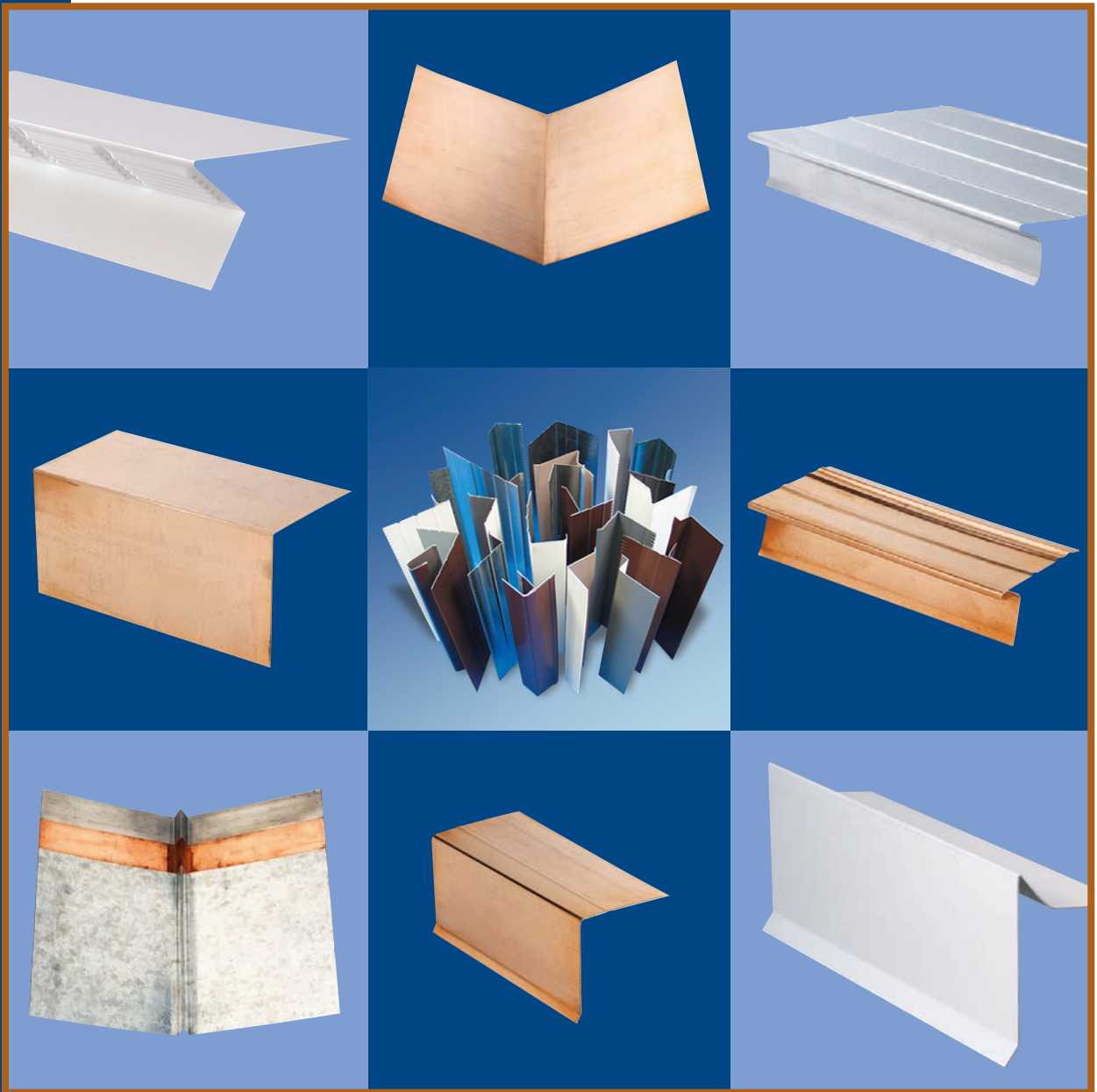
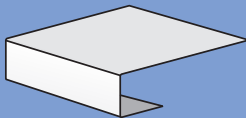
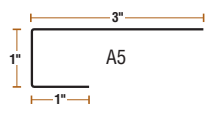
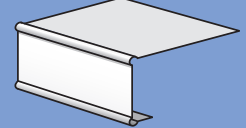
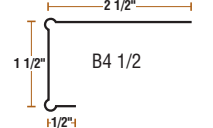
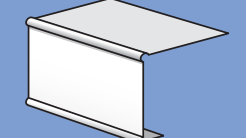
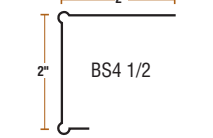
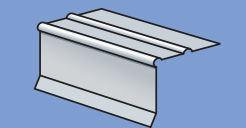
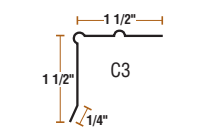
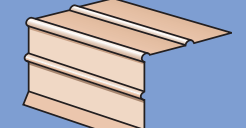
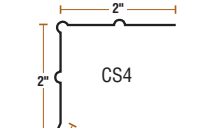
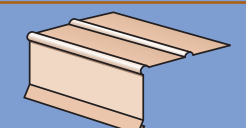
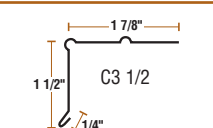
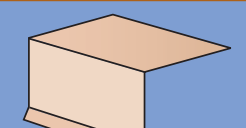
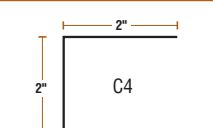

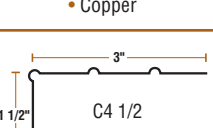
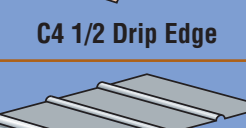
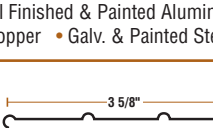




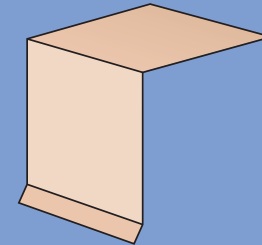
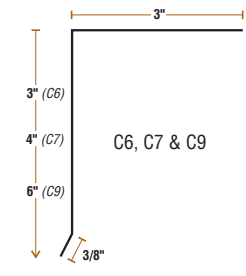
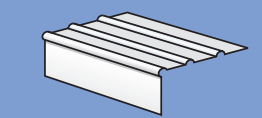
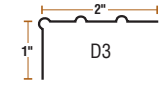
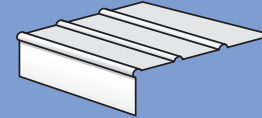
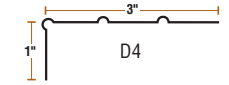
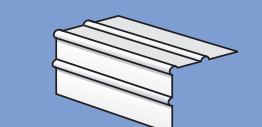
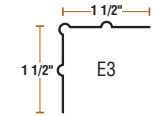
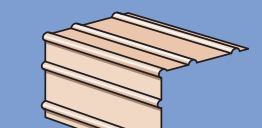
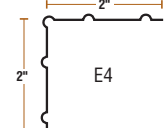
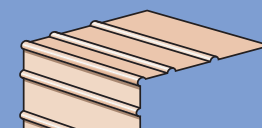
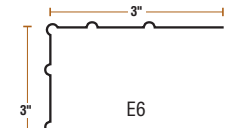
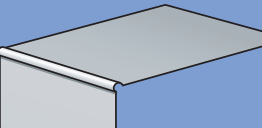
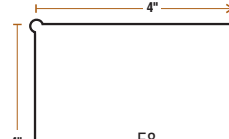


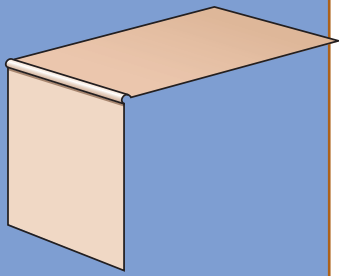
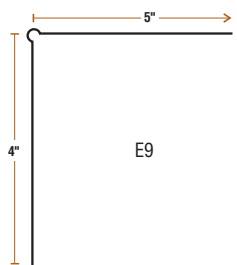
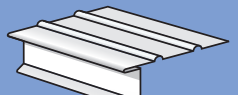

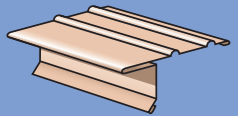
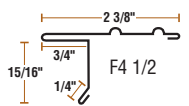
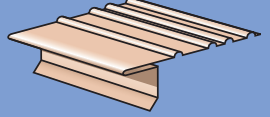
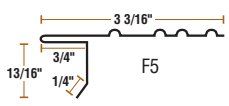
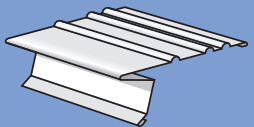

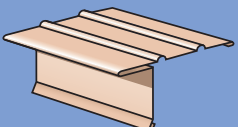
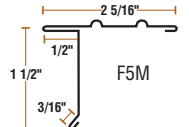
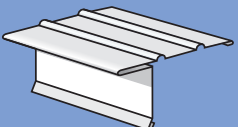
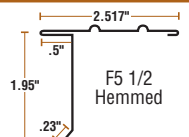
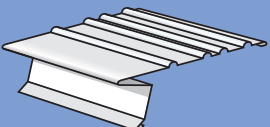
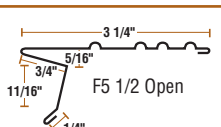
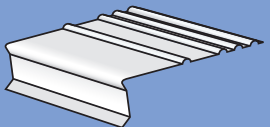
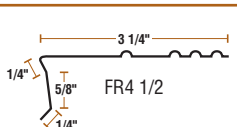
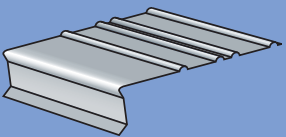
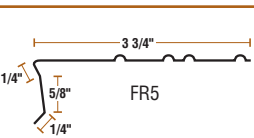
Roof Edgings and Trim Profiles

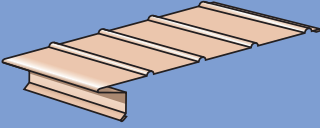
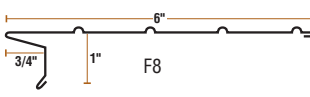
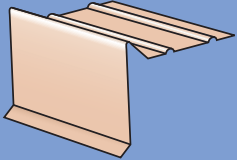
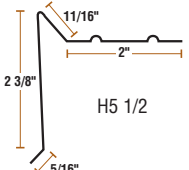
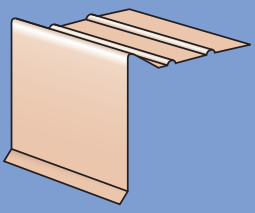
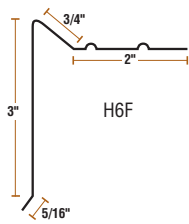
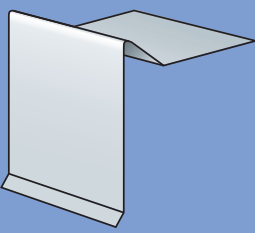
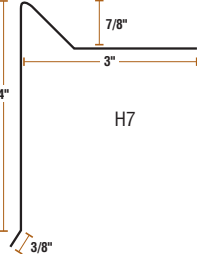
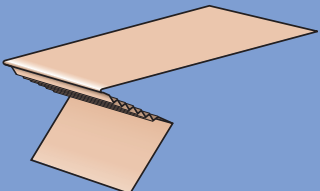
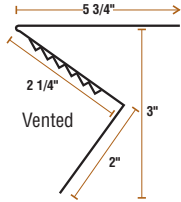
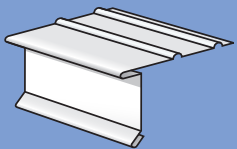
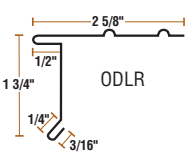
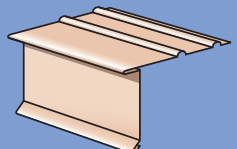
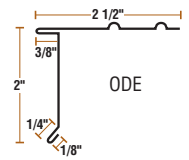
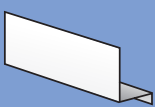
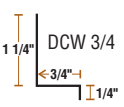
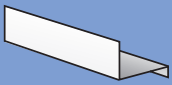
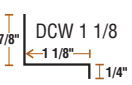


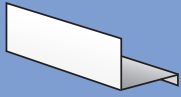

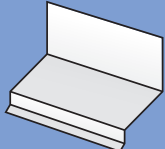
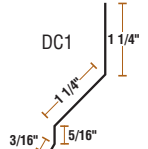
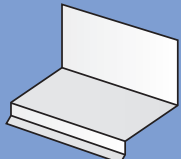
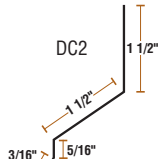
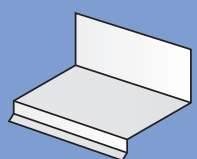
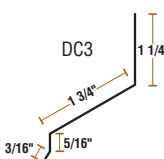
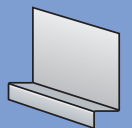
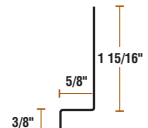
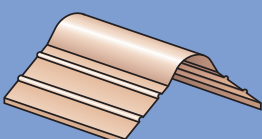
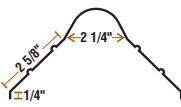
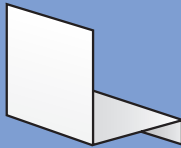
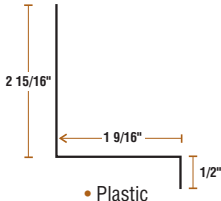
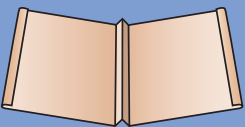
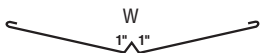
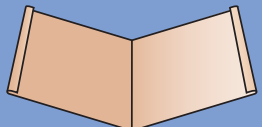
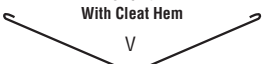
(800) 523-8852 • www.bergerbuildingproducts.com

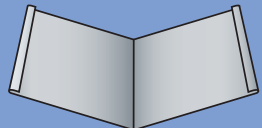
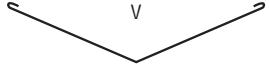
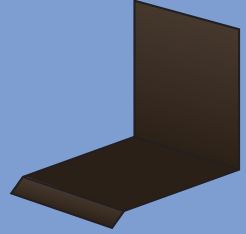
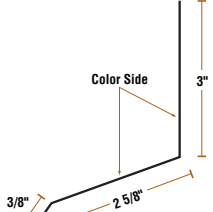
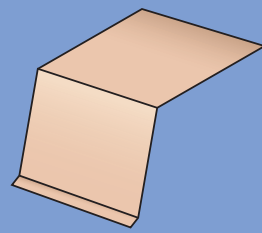
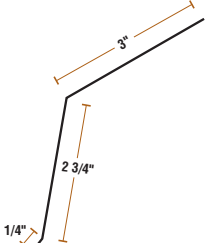
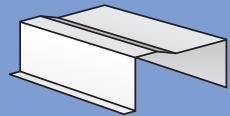
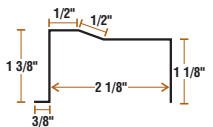
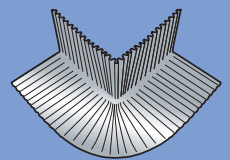
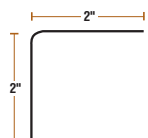
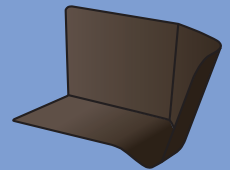
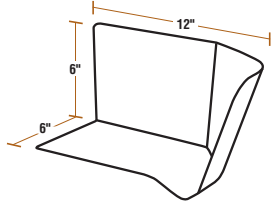
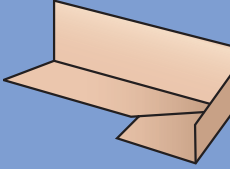
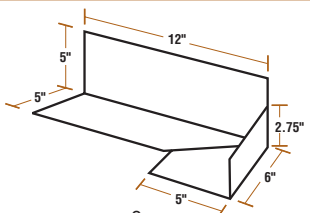
Profile Description	Dimensions/Specifications
 A5 Drip Edge	 A5 • Mill Finished & Painted Aluminum
 B4 1/2 Roof Edge	 B4 1/2 • Painted Aluminum
 BS4 1/2 Roof Edge	 BS4 1/2 • Painted Aluminum
 C3 Drip Edge	 C3 • Mill Finished & Painted Aluminum
 CS4 Drip Edge	 CS4 • Mill Fin. & Paint. Alum. • Copper
 C3 1/2 Drip Edge	 C3 1/2 • Painted Aluminum • Copper
 C4 Drip Edge	 C4 • Copper
 C4 1/2 Drip Edge	 C4 1/2 • Mill Finished & Painted Aluminum • Copper • Galv. & Painted Steel
 C5 Drip Edge	 C5 • Mill Finished & Painted Aluminum
 C5 1/2 Drip Edge	 C5 1/2 • Mill Finished & Painted Aluminum • Copper • Galv. & Painted Steel

Profile Description	Dimensions/Specifications
 C6, C7 & C9 Drip Edge	 C6, C7 & C9 • Mill Finished Aluminum (C6) • Painted Aluminum (C6, C7, C9) • Copper (C6)
 D3 Rake Edge	 D3 • Painted Aluminum
 D4 Rake Edge	 D4 • Painted Aluminum
 E3 Roofers Angle	 E3 • Painted Aluminum
 E4 Roofers Angle	 E4 • Mill Finished & Painted Aluminum • Copper • Galvanized Steel
 E6 Roofers Angle	 E6 • Painted Aluminum • Galv. & Painted Steel
 E8 Roofers Angle	 E8 • Painted Aluminum • Galvanized & Painted Steel

Profile Description	Dimensions/Specifications
 E9 Roofers Angle	 • Copper
 FSN4 1/2 High Tensile Drip Edge	 • Painted Aluminum
 F4 1/2 Drip Edge	 • Mill Finished & Painted Aluminum • Copper • Galv. & Painted Steel
 F5 Drip Edge	 • Mill Finished & Painted Aluminum • Copper • Galv. & Painted Steel
 F5 Open Drip Edge	 • Mill Finished & Painted Aluminum • Copper
 F5M (Medium) Drip Edge	 • Mill Finished & Painted Aluminum • Copper • Galv. & Painted Steel
 F5 1/2 Hemmed Drip Edge	 • Painted Galvanized Steel
 F5 1/2 Open Drip Edge	 • Mill Finished & Painted Aluminum
 FR4 1/2 Drip Edge	 • Painted Aluminum
 FR5 Drip Edge	 • Painted Aluminum

Profile Description	Dimensions/Specifications
 F8 Drip Edge	 • Mill Finished & Painted Aluminum • Copper • Galv. & Painted Steel
 H5 1/2 Slag Stop	 • Mill Finished & Painted Aluminum • Copper • Galv. & Painted Steel
 H6F Slag Stop	 • Mill Finished & Painted Aluminum • Copper • Galv. & Painted Steel
 H7 Slag Stop	 • Mill Finished & Painted Aluminum
 Vented Drip Edge	 • Mill Finished & Painted Aluminum • Copper
 ODLR Drip Edge	 • Painted Aluminum
 ODE Drip Edge	 • Painted Aluminum • Copper
 DCW 3/4 Drip Cap	 • Painted Aluminum
 DCW 1 1/8 Drip Cap	 • Painted Aluminum

Profile Description	Dimensions/Specifications
 DCW 1 5/16 Drip Cap	 • Painted Aluminum
 DC1 Drip Cap	 • Painted Aluminum
 DC2 Drip Cap	 • Painted Aluminum
 DC3 Drip Cap	 • Painted Aluminum
 Textured Aluminum Trim	 • Mill Finished & Painted Aluminum
 Ridge Roll	 • Mill Finished & Painted Aluminum • Copper • Galvanized Steel
 Deck Ledger Flashing Cap	 • Plastic
 "W" Valley	 • Mill Finished & Painted Aluminum • Copper • Galvanized Steel
 "V" Valley	 • Painted Aluminum • Copper • Galvanized Steel

Profile Description	Dimensions/Specifications
 129 Degree "V" Valley	 • Mill Finished • Copper
 Dormer Flashing	 • Painted Aluminum
 Apron Flashing	 • Mill Finished & Painted Aluminum • Copper
 Brick Molding	 • Painted Aluminum
 Corner Flex Flashing	 • Mill Finished Aluminum
 Kick-Out Diverter	 • Polypropylene
 Kick-Out Diverter	 • Copper



 a Euramax company

BERGER BUILDING PRODUCTS, INC.
805 Pennsylvania Blvd. • Feasterville, PA 19053

(800) 523-8852

(215) 355-1200 • FAX: (215) 355-7738

www.bergerbuildingproducts.com