



805 Pennsylvania Blvd • Feasterville, PA 19053

"THE COPPER CHOICE"

| | | | | | | | |
|--|--|---|--|--|--|--|--|
| HALF ROUND GUTTER CUSTOM SIZES AVAILABLE | | DOUBLE BEAD | | MITERS OUTSIDE 5K 5HR INSIDE 5HR 5K | | K GUTTER 8K 7K 6K 5K CUSTOM SIZES AVAILABLE HI BACK APRON OR STRAIGHT BACK | |
| HR ACCESSORIES D END PIECE 3" WB POP OUTLET WF "B" OUTLET 3" 4" S SLIP JOINT CUSTOM OUTLETS C END CAP ORNATE CONDUCTOR HEAD SIZES: 3", 4", & 5" OUTLETS: 4" x 5" 3" x 4" 2" x 3" 3" K ACCESSORIES K END PIECE K END CAP K SLIP JOINT WIRE STRAINER | | | | | | | |
| SHANKS #10 PLATE #6 #10 #11 #12 #25 #10 COMBINATION HANGER #30 #1 CIRCLE SPRING CLIP NUT & BOLT EXTENSION SHANK REGAL BAR HANGERS | | HANGERS HR RIVAL STRAP HANGER CROSSBAR HANGER J BRACKET SNAP STRAP ON HANGER 40K 41K CUSTOM HANGER 5" HIDDEN HIDDEN W/ SCREW SPIKE & FERRULE | | | | | |
| ROUND DOWNSPOUT PLAIN: 2", 3", 4", 5", 6" 3PL 4RC 3RC 4PL CORRUGATED: 3", 4", 5" 6" | | DOWNSPOUT TUBE 2", 3", 4" SLOPED EAVE BOX OPEN OR CLOSED TOP EAVE BOX | | SQUARE DOWNSPOUT 4 X 5 2 X 3 3 X 4 SQUARE ELBOWS PLAIN 2 x 3-A 2 x 3-B | | | |
| DIVERTERS | | FLASHING, TRIM AND EDGING RIDGE ROLL V VALLEY W VALLEY "C" STYLE "F" STYLE "E" STYLE "H" STYLE | | DRIVES & PIPE FASTENERS #6 #0 #4 CONDUCTOR BRACKET UNIVERSAL BAND RACK KEY U BRACKET PIPE CLEAT ORNAMENTAL COND BAND | | | |
| FreedomGray® Copper | | GUTTER GUARDS HINGED DROP-IN GUTTER SHINGLE | | SNOW GUARDS #100 SHOE LOOP MULLANE #100 MULLANE #200 PRO 100 ASSEMBLY #100 SERIES #95 ASSEMBLY | | | |

(215) 355-1200 • (800) 523-8852 • Fax: (215) 355-7738

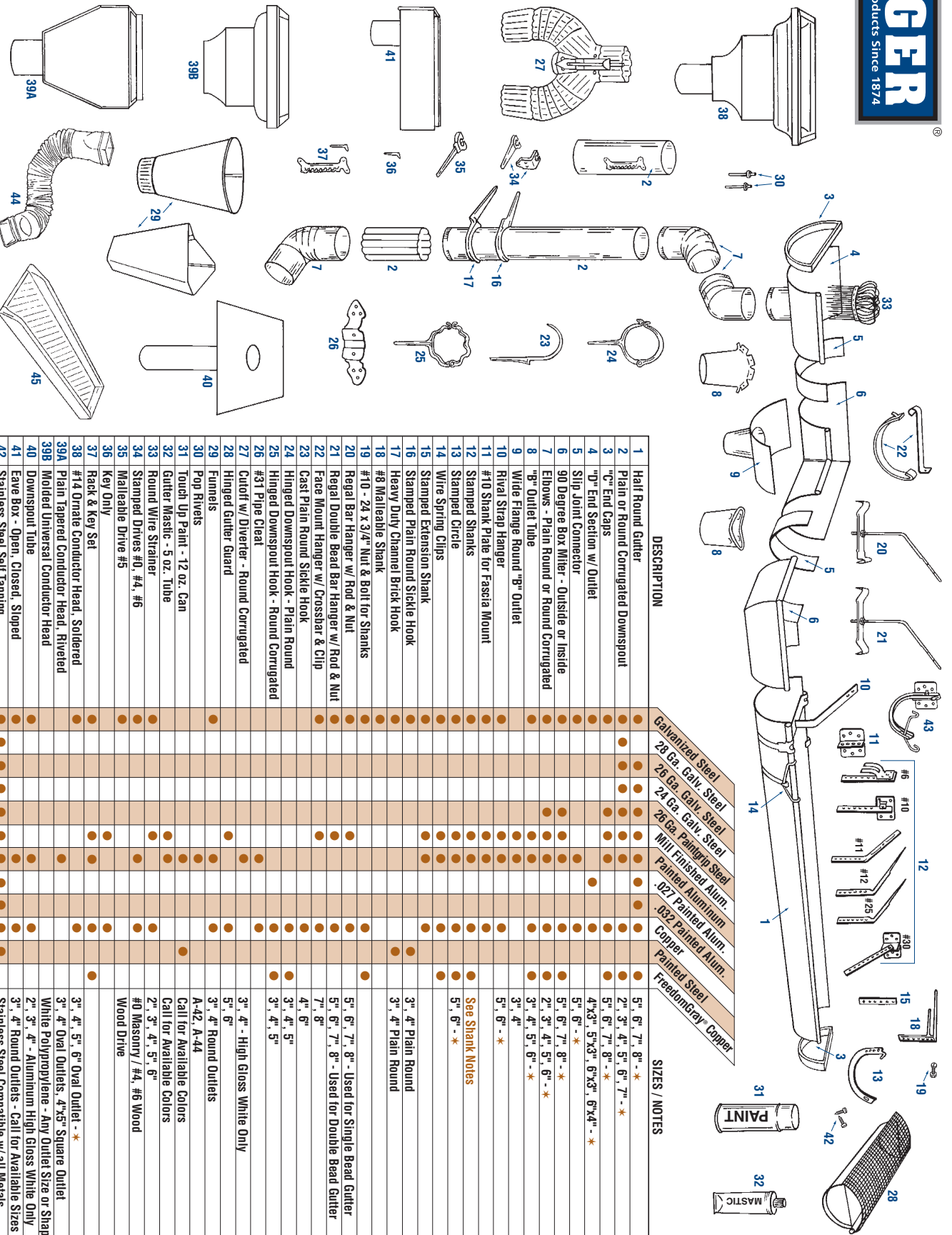
Internet: www.bergerbuildingproducts.com • Email: info@bergerbuildingproducts.com

Since 1874, makers of quality building products in **Painted Aluminum, Copper, Painted Steel, Galvanized Steel and Paint Grip**. Other materials available by special order.



H A L F R O U N D

GUTTER SYSTEMS AND ACCESSORIES



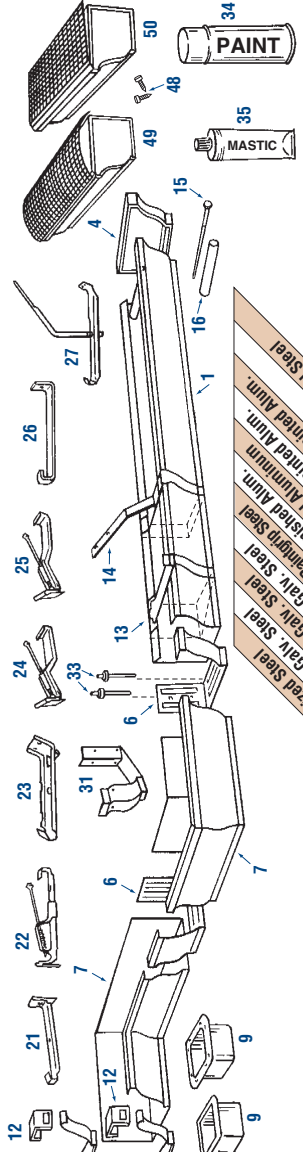
*Note: Not all sizes are available in the materials shown in this chart. Please contact Berger for availability.

| DESCRIPTION | Galvanized Steel | 28 Ga. Galv. Steel | 26 Ga. Galv. Steel | 24 Ga. Galv. Steel | Mill Finished Steel | Painted Aluminum | .027 Painted Alum. | .032 Painted Alum. | Copper | Painted Alum. | Freedom Gray Copper | SIZES / NOTES |
|---|------------------|--------------------|--------------------|--------------------|---------------------|------------------|--------------------|--------------------|--------|---------------|---------------------|---|
| 1 Half Round Gutter | • | • | • | • | • | • | • | • | • | • | • | 5", 6", 7", 8" - * |
| 2 Plain or Round Corrugated Downspout | • | • | • | • | • | • | • | • | • | • | • | 2", 3", 4", 5", 6", 7" - * |
| 3 "C" End Caps | • | • | • | • | • | • | • | • | • | • | • | 5", 6", 7", 8" - * |
| 4 "B" End Section w/ Outlet | • | • | • | • | • | • | • | • | • | • | • | 4"x3", 5"x3", 6"x3", 6"x4" - * |
| 5 Slip Joint Connector | • | • | • | • | • | • | • | • | • | • | • | 5", 6" - * |
| 6 90 Degree Box Miter - Outside or Inside | • | • | • | • | • | • | • | • | • | • | • | 5", 6", 7", 8" - * |
| 7 Elbows - Plain Round or Round Corrugated | • | • | • | • | • | • | • | • | • | • | • | 2", 3", 4", 5", 6" - * |
| 8 "B" Outlet Tube | • | • | • | • | • | • | • | • | • | • | • | 3", 4", 5", 6" - * |
| 9 Wide Flange Round "B" Outlet | • | • | • | • | • | • | • | • | • | • | • | 3", 4" - * |
| 10 Rival Strap Hanger | • | • | • | • | • | • | • | • | • | • | • | 5", 6" - * |
| 11 #10 Shank Plate for Fascia Mount | • | • | • | • | • | • | • | • | • | • | • | See Shank Notes |
| 12 Stamped Shanks | • | • | • | • | • | • | • | • | • | • | • | 5", 6" - * |
| 13 Stamped Circle | • | • | • | • | • | • | • | • | • | • | • | 5", 6" - * |
| 14 Wire Spring Clips | • | • | • | • | • | • | • | • | • | • | • | See Shank Notes |
| 15 Stamped Extension Shank | • | • | • | • | • | • | • | • | • | • | • | 3", 4" Plain Round |
| 16 Stamped Plain Round Sickle Hook | • | • | • | • | • | • | • | • | • | • | • | 3", 4" Plain Round |
| 17 Heavy Duty Channel Brick Hook | • | • | • | • | • | • | • | • | • | • | • | 3", 4" Plain Round |
| 18 #8 Malleable Shank | • | • | • | • | • | • | • | • | • | • | • | 5", 6", 7", 8" - Used for Single Bead Gutter |
| 19 #10 - 24 x 3/4" Nut & Bolt for Shanks | • | • | • | • | • | • | • | • | • | • | • | 5", 6", 7", 8" - Used for Double Bead Gutter |
| 20 Regal Bar Hanger w/ Rod & Nut | • | • | • | • | • | • | • | • | • | • | • | 7", 8" |
| 21 Regal Double Bead Bar Hanger w/ Rod & Nut | • | • | • | • | • | • | • | • | • | • | • | 4", 6" |
| 22 Face Mount Hanger w/ Crossbar & Clip | • | • | • | • | • | • | • | • | • | • | • | 3", 4", 5" |
| 23 Cast Plain Round Sickle Hook | • | • | • | • | • | • | • | • | • | • | • | 3", 4", 5" |
| 24 Hinged Downspout Hook - Plain Round | • | • | • | • | • | • | • | • | • | • | • | 3", 4", 5" |
| 25 Hinged Downspout Hook - Round Corrugated | • | • | • | • | • | • | • | • | • | • | • | 3", 4", 5" |
| 26 #31 Pipe Cleat | • | • | • | • | • | • | • | • | • | • | • | 3", 4", 5" |
| 27 Cutoff w/ Diverter - Round Corrugated | • | • | • | • | • | • | • | • | • | • | • | 3", 4", 5" |
| 28 Hinged Gutter Guard | • | • | • | • | • | • | • | • | • | • | • | 3", 4" - High Gloss White Only |
| 29 Funnels | • | • | • | • | • | • | • | • | • | • | • | 5", 6" |
| 30 Pop Rivets | • | • | • | • | • | • | • | • | • | • | • | 3", 4" Round Outlets |
| 31 Touch Up Paint - 12 oz. Can | • | • | • | • | • | • | • | • | • | • | • | 3", 4" Round Outlets |
| 32 Gutter Mastic - 5 oz. Tube | • | • | • | • | • | • | • | • | • | • | • | A-42, A-44 |
| 33 Round Wire Strainer | • | • | • | • | • | • | • | • | • | • | • | Call for Available Colors |
| 34 Stamped Drives #0, #4, #6 | • | • | • | • | • | • | • | • | • | • | • | Call for Available Colors |
| 35 Malleable Drive #5 | • | • | • | • | • | • | • | • | • | • | • | 2", 3", 4", 5", 6" |
| 36 Key Only | • | • | • | • | • | • | • | • | • | • | • | #0 Masonry / #4, #6 Wood |
| 37 Rack & Key Set | • | • | • | • | • | • | • | • | • | • | • | Wood Drive |
| 38 #14 Ornate Conductor Head, Soldered | • | • | • | • | • | • | • | • | • | • | • | 3", 4", 5", 6" Oval Outlet - * |
| 39A Plain Tapered Conductor Head, Riveted | • | • | • | • | • | • | • | • | • | • | • | 3", 4" Oval Outlets, 4"x5" Square Outlet |
| 39B Molded Universal Conductor Head | • | • | • | • | • | • | • | • | • | • | • | White Polypropylene - Any Outlet Size or Shape |
| 40 Downspout Tube | • | • | • | • | • | • | • | • | • | • | • | 2", 3", 4" - Aluminum High Gloss White Only |
| 41 Eave Box - Open, Closed, Sloped | • | • | • | • | • | • | • | • | • | • | • | 3", 4" Round Outlets - Call for Available Sizes |
| 42 Stainless Steel Self Tapping Hex Screws #8 x 1/2 | • | • | • | • | • | • | • | • | • | • | • | Stainless Steel Compatible w/ all Metals |
| 43 #10 Combination Circle and Plate | • | • | • | • | • | • | • | • | • | • | • | 5" - 6" |
| 44 Flex-A-Spout | • | • | • | • | • | • | • | • | • | • | • | Available in Brown, Gray, White |
| 45 Splash Blocks | • | • | • | • | • | • | • | • | • | • | • | Available in Green, Brown, Gray |

Shank Notes: #1 - for fascia, #6 - for ogee or crown moulding, fits contour, #10 - for fascia, #11 - for nailing to rafter, #12 - for nailing to sheathing, #25 - for nailing to sheathing, #30 - adjustable pitch for angled end rafters and fascia

K STYLE

GUTTER SYSTEMS AND ACCESSORIES



| ITEM # | DESCRIPTION | MATERIALS | | | | | | | | | | | | SIZES / NOTES |
|--------|--|------------------|--------------------|--------------------|---------------------|------------------|-------------------|-------------------|--------|---------------|---------------|---------------|---------------|---|
| | | Galvanized Steel | 26 Ga. Galv. Steel | 24 Ga. Galv. Steel | Mill Finished Steel | Painted Aluminum | 027 Painted Alum. | 032 Painted Alum. | Copper | Painted Steel | Painted Steel | Painted Steel | Painted Steel | |
| 1 | K-Style Gutter | • | • | • | • | • | • | • | • | • | • | • | • | 5", 6", 7", 8" - * |
| 2 | Square Corrugated Downspout | • | • | • | • | • | • | • | • | • | • | • | • | 2"x3", 3"x4", 4"x5" - * |
| 3 | Plain Square Downspout | • | • | • | • | • | • | • | • | • | • | • | • | 2"x3", 3"x4" |
| 4 | End Caps - Left or Right | • | • | • | • | • | • | • | • | • | • | • | • | 5", 6", 7", 8" - * |
| 5 | End Section w/ Outlet | • | • | • | • | • | • | • | • | • | • | • | • | 5"x3" |
| 6 | Slip Joint Connector | • | • | • | • | • | • | • | • | • | • | • | • | 5" - * |
| 7 | 90 Degree Box Miter - Outside or Inside | • | • | • | • | • | • | • | • | • | • | • | • | 5", 6", 7", 8" - * |
| 8 | Elbows - A & B Style - Sq. Corr. & Plain Sq. | • | • | • | • | • | • | • | • | • | • | • | • | 2"x3", 3"x4", 4"x5" Custom for Pl. Sq. - * |
| 9 | Outlet Tube - Oval, Square | • | • | • | • | • | • | • | • | • | • | • | • | 2"x3", 3"x4", 4"x5", 3" Oval, 4" Oval - * |
| 10 | #40 Fascia Hanger w/ Snap Strip | • | • | • | • | • | • | • | • | • | • | • | • | 5", 6" - * |
| 11 | #41 Rafter Hanger w/ Snap Strip | • | • | • | • | • | • | • | • | • | • | • | • | 5", 6" - * |
| 12 | Snap Strip | • | • | • | • | • | • | • | • | • | • | • | • | 5", 6" |
| 13 | Premium Fascia Hanger w/ Crossbar | • | • | • | • | • | • | • | • | • | • | • | • | 5", 6" - * |
| 14 | Wrap around Hanger | • | • | • | • | • | • | • | • | • | • | • | • | 7", 8" |
| 15 | Gutter Spike / Gutter Screw | • | • | • | • | • | • | • | • | • | • | • | • | 4", 5", 6" - * |
| 16 | Ferrule | • | • | • | • | • | • | • | • | • | • | • | • | 5", 6" |
| 17 | Universal Band | • | • | • | • | • | • | • | • | • | • | • | • | 2"x3", 3"x4" |
| 18 | Square Stamped Sickle Hook | • | • | • | • | • | • | • | • | • | • | • | • | 3", 4" |
| 19 | Melco Ornamental Conductor Band | • | • | • | • | • | • | • | • | • | • | • | • | 2"x3", 3"x4" |
| 20 | Heavy Duty Channel Brick Hook | • | • | • | • | • | • | • | • | • | • | • | • | 5", 6", 7", 8" |
| 21 | Hidden Hanger | • | • | • | • | • | • | • | • | • | • | • | • | 5", 6" |
| 22 | Hidden Hanger w/ Screw | • | • | • | • | • | • | • | • | • | • | • | • | 5" |
| 23 | Heavy Duty Hidden Hanger | • | • | • | • | • | • | • | • | • | • | • | • | 6" |
| 24 | H-15 Hidden Hanger | • | • | • | • | • | • | • | • | • | • | • | • | 5", 6", 7", 8" |
| 25 | H-16 Hidden Hanger | • | • | • | • | • | • | • | • | • | • | • | • | 5" |
| 26 | Custom Crossbar Hanger | • | • | • | • | • | • | • | • | • | • | • | • | 5", 6", 7", 8" |
| 27 | Root Bar Hanger w/ Rod & Nut | • | • | • | • | • | • | • | • | • | • | • | • | 5", 6", 7", 8" |
| 28 | Sq. Side Fasten / Wire Downspout Hooks | • | • | • | • | • | • | • | • | • | • | • | • | 3"x4", 4"x5" - * |
| 29 | U-Bracket Downspout Hanger | • | • | • | • | • | • | • | • | • | • | • | • | 2"x3" - Aluminum White Only |
| 30 | Conductor Bracket Downspout Hanger | • | • | • | • | • | • | • | • | • | • | • | • | 2"x3" |
| 31 | 90 Degree Strip Miter - Outside or Inside | • | • | • | • | • | • | • | • | • | • | • | • | 5", 6" |
| 32 | Funnels | • | • | • | • | • | • | • | • | • | • | • | • | 3", 4" Round Outlets |
| 33 | Pop Rivets | • | • | • | • | • | • | • | • | • | • | • | • | A-42, A-44 |
| 34 | Touch Up Paint - 12 oz. Can | • | • | • | • | • | • | • | • | • | • | • | • | Call for Available Colors |
| 35 | Gutter Mastic - 5 oz. Tube | • | • | • | • | • | • | • | • | • | • | • | • | Call for Available Colors |
| 36 | Round Wire Strainer | • | • | • | • | • | • | • | • | • | • | • | • | 2", 3", 4", 5", 6" |
| 37 | Stamped Drives #0, #4, #6 | • | • | • | • | • | • | • | • | • | • | • | • | #0 Masonry / #4, #6 Wood |
| 38 | Malleable Drive #5 | • | • | • | • | • | • | • | • | • | • | • | • | Wood Drive |
| 39 | Key Only | • | • | • | • | • | • | • | • | • | • | • | • | |
| 40 | Rack & Key Set | • | • | • | • | • | • | • | • | • | • | • | • | |
| 41 | #14 Ornate Conductor Head, Soldered | • | • | • | • | • | • | • | • | • | • | • | • | 3", 4", 5", 6" Oval Outlet - * |
| 42A | Plain Tapered Conductor Head, Riveted | • | • | • | • | • | • | • | • | • | • | • | • | 3", 4" Oval Outlets, 4"x5" Square Outlet |
| 42B | Molded Universal Conductor Head | • | • | • | • | • | • | • | • | • | • | • | • | White Polypropylene - Any Outlet Size or Shape |
| 43 | Downspout Tube | • | • | • | • | • | • | • | • | • | • | • | • | 2", 3", 4" - Aluminum High Gloss White Only |
| 44 | Eave Box - Open, Closed, Sloped | • | • | • | • | • | • | • | • | • | • | • | • | 3", 4" Round Outlets - Call for Available Sizes |
| 45 | Square Corrugated "Y" Funnel | • | • | • | • | • | • | • | • | • | • | • | • | 2"x3", 3"x4" |
| 46 | Square Corrugated Cutoff w/ Diverter | • | • | • | • | • | • | • | • | • | • | • | • | 2"x3", 3"x4" |
| 47 | Square Corrugated Offset | • | • | • | • | • | • | • | • | • | • | • | • | 2"x3", 3"x4" |
| 48 | Stainless Steel Self Tapping Hex Screws #8 x 1/2 | • | • | • | • | • | • | • | • | • | • | • | • | Stainless Steel Compatible w/ all Metals |
| 49 | Hinged Gutter Guard | • | • | • | • | • | • | • | • | • | • | • | • | 5", 6" |
| 50 | Drop-In Gutter Guard | • | • | • | • | • | • | • | • | • | • | • | • | 5" |
| 51 | Flex-A-Spout | • | • | • | • | • | • | • | • | • | • | • | • | Brown, Green, White |
| 52 | Splash Blocks | • | • | • | • | • | • | • | • | • | • | • | • | Green, Brown, Gray |

* Note: Not all sizes are available in the materials shown in this chart. Please contact Berger for availability.

