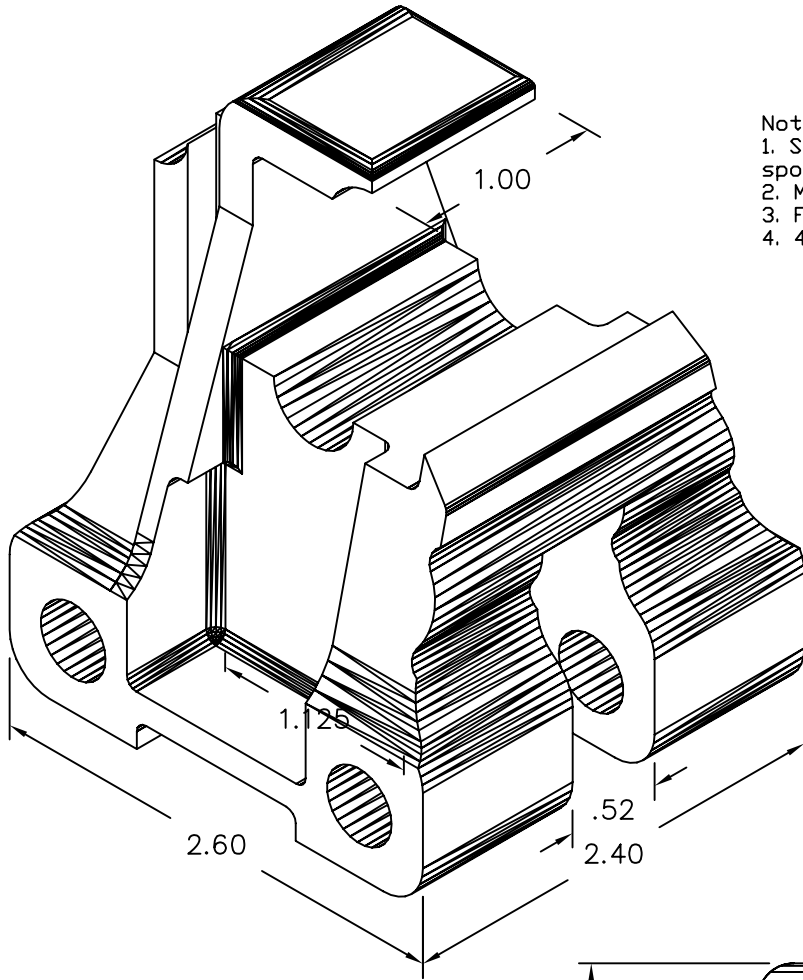
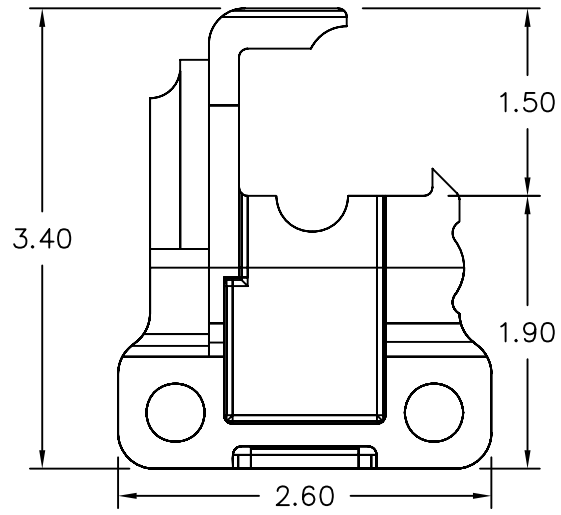
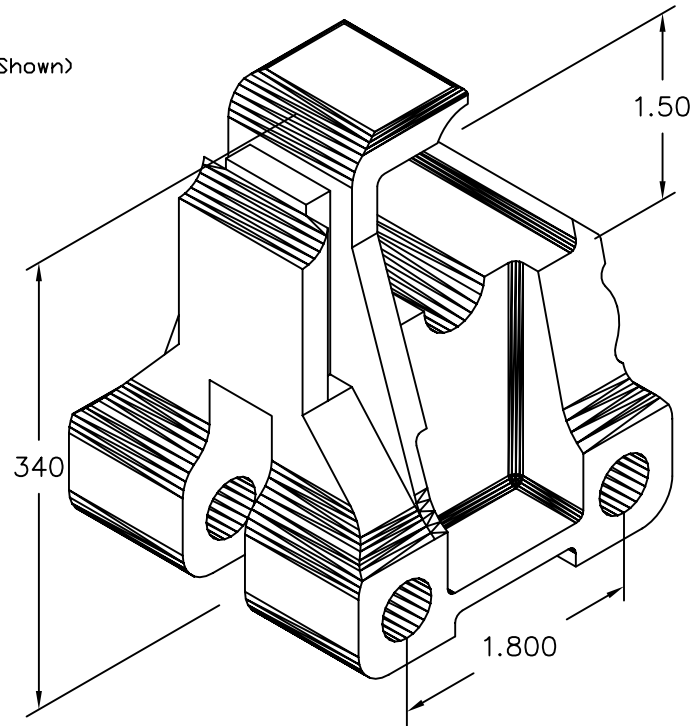


REVISIONS				
ZONE	REV	DESCRIPTION	DATE	APPROVED



- Notes:
1. Surface shall be visually free from scratches, lines, spots or other imperfections.
  2. Material: ALMAG 535
  3. Finish: Mill Finish
  4. 4 - 1" SS Set Screws Provided (Not Shown)



General Tolerance

x, x' =  $\pm \frac{1}{16}$   
x/x' =  $\pm \frac{1}{32}$

---

Work Center =

---

Drawn By: ADC  
DATE: 11/07/2007

**BERGER**  
Quality Building Products Since 1874

---

E-RAIL SNOWGUARD CASTING

SIZE A	FSCM NO.	DWG NO. FCSTS F	REV —
SCALE: None		SHEET 1 of 1	