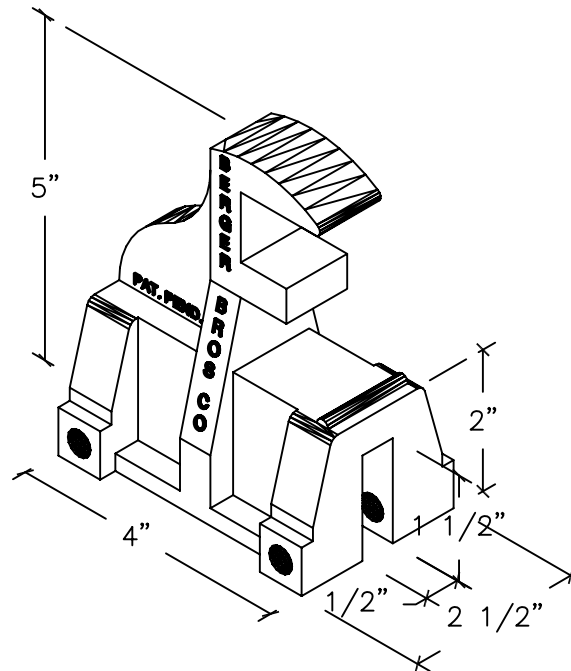


Notes:

1. Surface shall be visually free from scratches, lines, spots or other imperfections.
2. Accommodates up to 4 Rails of Protection
3. Requires NO Penetration of the Roof
4. 4 - 1" SS Set Screws Provided (Not Shown)

REVISIONS				
ZONE	REV	DESCRIPTION	DATE	APPROVED



MAT'L List	"T"-Thickness	MAT'L List	"T"-Thickness
MF ALUM			
PAINTED ALUM			

General Tolerance  
 $x, x' = \pm \frac{1}{16}$   
 $x/x' = \pm \frac{1}{32}$

Work Center =

Drawn By: Blake Holmes  
 DATE: 8/29/2006

# BERGER

Quality Building Products Since 1874

## F-Rail Snow Retention System

SIZE A	FSCM NO.	DWG NO. (FCSTxx)	REV —
SCALE: not to scale	SHEET 1 of 1		