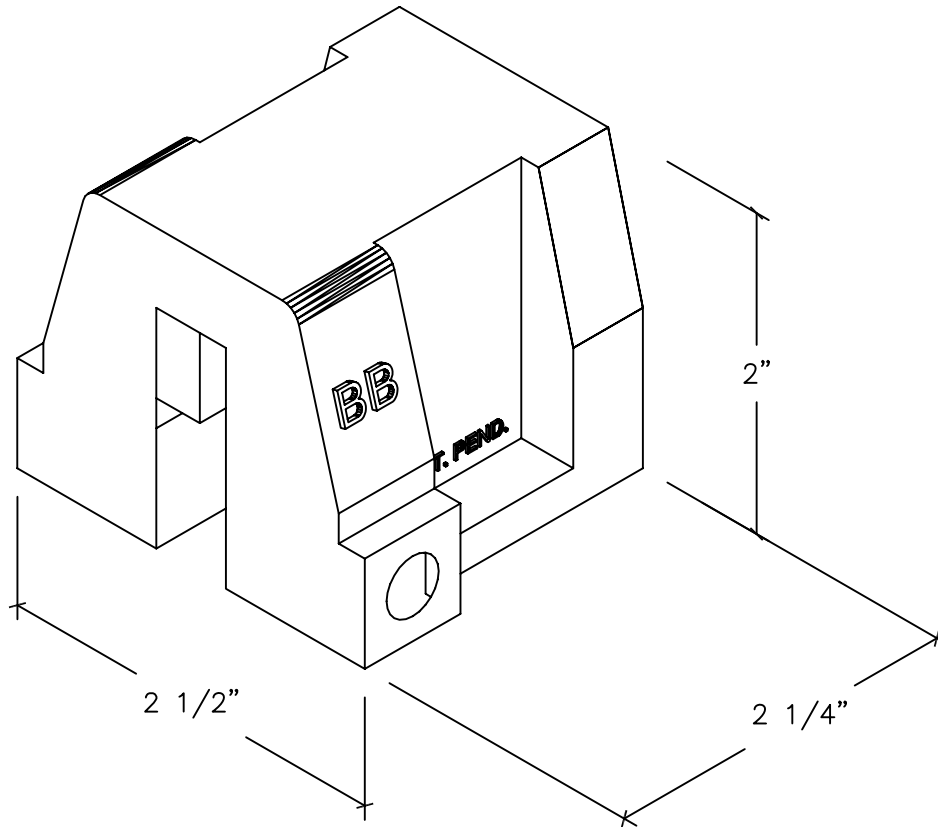


Notes:

1. Surface shall be visually free from scratches, lines, spots or other imperfections.
2. Material: Almag 535
3. 2 1' Long SS Set Screws Provided (Not Shown)

REVISIONS				
ZONE	REV	DESCRIPTION	DATE	APPROVED



General Tolerance

x.x' = $\pm \frac{1}{16}$
 x/x" = $\pm \frac{1}{32}$

Work Center =

Drawn By: ADC
 DATE: 11/07/07

BERGER
 Quality Building Products Since 1874

S-RAIL CASTING

SIZE A	FSCM NO.	DWG NO. SCSTS F	REV —
SCALE: None	SHEET 1 of 1		